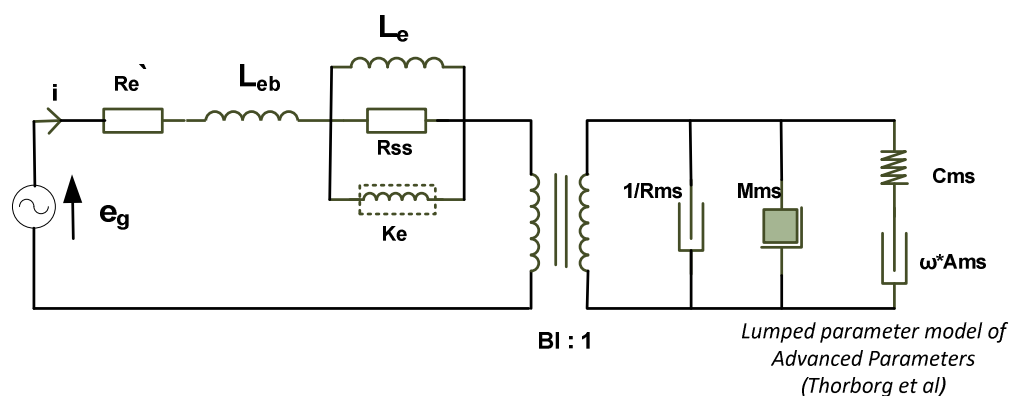


12MU/8731T00



Electrical data

DC resistance ($R_{e'}$)	5.86	[Ω]
Free inductance (L_{eb})	0.064	[mH]
Bound inductance (L_e)	2.03	[mH]
Semi inductance (K_e)	0.080	SH
Shunt resistance (R_{ss})	5	[Ω]

Mechanical data

Force factor (BI)	5.85	[Tm]
Moving mass (M_{ms})	5.2	[g]
Compliance (C_{ms})	0.69	[mm/N]
Admittance (A_{ms})	0.09	[mm/N]
Mechanical resistance (R_{ms})	0.63	[Ns/m]